

TI2007-012

DC to NATO Receptacle Cable Assembly



Power Anytime, Anywhere

The Tesla™ DC to NATO Receptacle Cable Assembly is constructed from a rugged combination of advanced composite materials and corrosion-resistant alloys, and features Tesla's NATO receptacle. The result is a weatherproof NATO receptacle assembly that will withstand the harshest battlefield conditions and other extreme environments. The DC to NATO Receptacle Cable Assembly can provide safe and efficient power transfer of up to 3000 peak amps — no more damage or injury to equipment, plugs and personnel.

Features:

- Rated to 3000 peak amps
- Clamped cable connections
- UV, fuel, fungus, water, and oil resistant
- Easy component replacement
- 15 ft. 1Ø cable assembly
- Manufactured by Tesla™
- Exceeds MIL-STD-810



Tesla™ Industries, Inc.
www.teslainsd.com ♦ www.tesla1.com
Email: tesla1@teslainsd.com
Headquarters: (302) 324-8910
101 Centerpoint Blvd. New Castle, DE 19720
Western Regional Office: (775) 622-8801
9475 Double R Blvd. Suite 2, Reno, NV 89521



The **POWER**
of
RED™



Features and Benefits

As Original Equipment Manufacturers, we understand the need for superior components that must perform under the harshest conditions. For this reason, each Tesla™ NATO DC Receptacle is manufactured to the strictest safety, quality and performance standards — creating the most reliable connector on the market.

Rugged, Durable, Reliable

Made from virtually indestructible composite materials, the internal insulator won't crack, melt, blister, dry-rot or disintegrate. This, in conjunction with corrosion resistant conductors, insures that the Tesla™ NATO DC Receptacle will still be in the field long after other receptacles have failed.

Weatherproof Construction

The Tesla™ NATO DC Receptacle includes a durable cap tethered with a corrosion resistant lanyard. The cap, along with the cap seal at the base of the receptacle, protect the receptacle from rain, snow, sand and other harmful debris.

Highly Conductive Contacts

Manufactured from highly conductive alloys, the center receptacle is specially tapered and has memory to maximize contact surface area and to minimize deformity over time.

Good News for OEMs

With a two-year warranty, Tesla's™ NATO DC Receptacles are reliable, durable, and will easily integrate into your current product configuration. Best of all, they are in stock for immediate delivery. Call Tesla™ Customer Service at (302) 324-8910 for more details on volume pricing.



Tesla™ DC Battery Connector

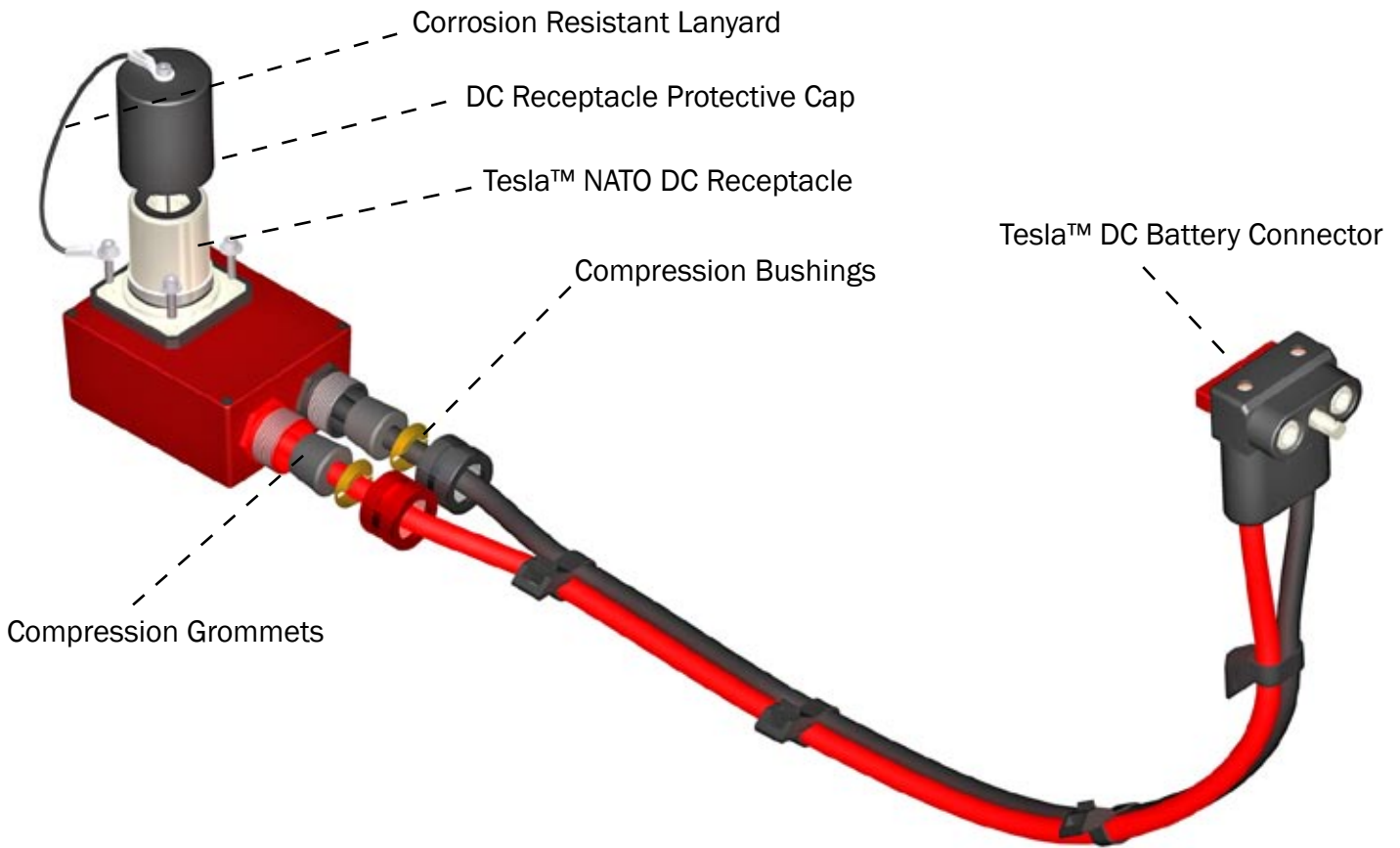


Tesla™ NATO DC Receptacle



Connecting Tesla™ NATO DC Connector to DC NATO Receptacle

Components - Exploded View



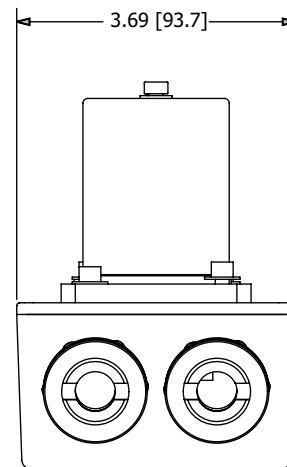
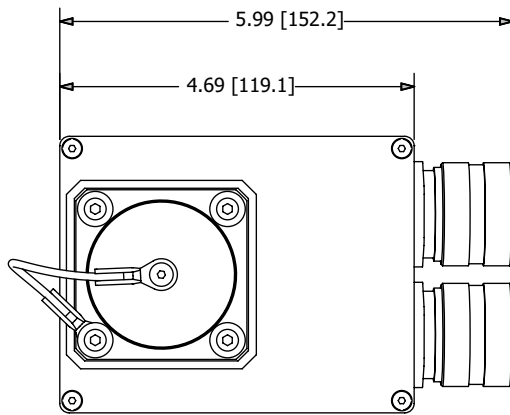
Replaceable DC Connector Contacts

Manufactured from highly conductive alloys, the contacts feature threads that are resistant to damage and ideal for superior torquing and surface contact. Once installed, contacts are hermetically sealed within the connector. Contacts can be easily replaced “in-the-field” without discarding the entire connector. The DC Battery Connector can be easily repaired by replacing the contacts using the Insertion/Extraction Tool. The tool and replacement contacts can be ordered through Tesla™ Customer Service at (302) 324-8910.

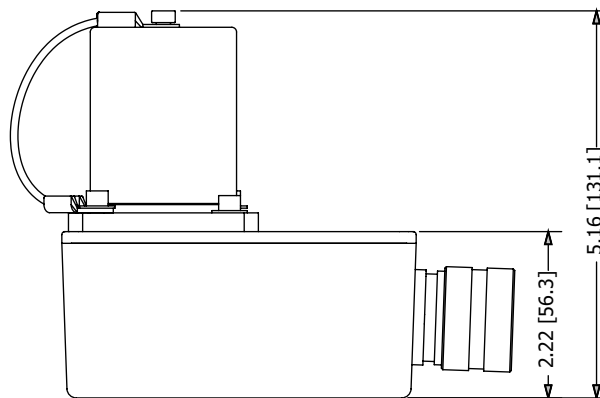


A: Replacement Contacts: TI2005-490
B: Insertion/Extraction Tool: TI2005-488

Dimensions and Technical Specifications



* All dimensions are in inches [millimeters]



Technical Specifications:

Input Voltage Range	12 - 32 Vdc
Peak Current	3000 A
Rated Current	1500 A
Power Consumption (Disengaged)	170 mA
Power Consumption (Engaged)	500 mA
Inrush Current (@ 28 Vdc)	3.8 A @ 130 mS
Air Gap-leakage Path	0.355" (9 mm)
Protection Class	IP28C
Optional Overcurrent Protection Range	1 - 2000 A
Overcurrent Protection Delay	10 mS - 1.0 second
Operating Temperature	-40° to 110° C (-40° to 230° F)
Storage Temperature	-65° to 125° C (-85° to 257° F)
Weight	16.5 lbs. (7.48 kg)
Warranty	2 years (3 years optional)